

Tension Compression Load Cell



FEATURES

- Capacities 50 - 500kg
- Anodized aluminum construction
- OIML R60 approved
- IP67 protection
- For use in tension or compression
- 6 wire (sense) circuit

OPTIONAL FEATURE

- EEx ia IIC T4 hazardous area approval

DESCRIPTION

Model 614 is a tension-compression load cell. Humidity resistant coating and shielded cables enable this load cell to be used in harsh environments while maintaining its operating specifications.

The additional sense wires compensate for changes in lead resistance due to temperature change and/or cable extension.

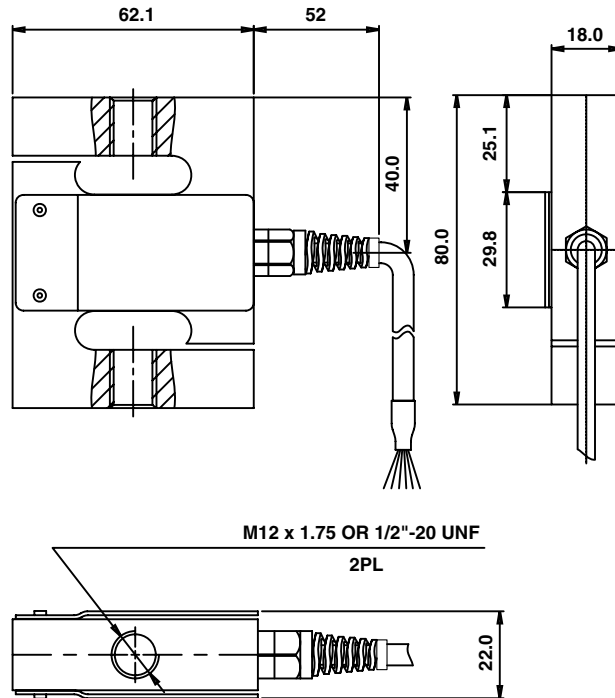
Ideally suited for lever conversions, hanging scales, force measurement and a wide range of other industrial applications.

Model 614 is made from aluminum.

APPLICATIONS

- Hopper (Tank weighing)
- Hybrid scales
- Belt weighing
- Lever arm conversions
- Material testing machines
- Vibrations filling equipment
- Dynamometers

OUTLINE DIMENSIONS in mm



All dimensions in mm



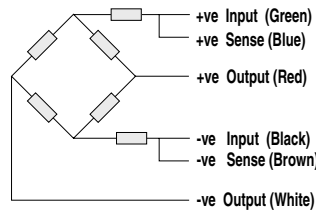
SPECIFICATIONS

Table with columns: PARAMETER, VALUE, UNIT. Rows include Rated capacity-R.C. (E_max), Accuracy class, Maximum no. of intervals (n), Y = E_max/V_min, Rated output-R.O., Rated output tolerance, Zero balance, Zero Return, 30 min., Total Error (per OIML R60), Temperature effect on zero, Temperature effect on output, Temperature range, compensated, Temperature range, safe, Maximum safe central overload, Ultimate central overload, Excitation, recommended, Excitation, maximum, Input impedance, Output impedance, Insulation resistance, Cable length, Cable type, Construction, Environmental protection.

* 50% utilization

** Y=8000 for capacities 50-200kg. Y=12000 for capacities 300-500kg

Wiring Schematic Diagram (Balanced bridge configuration)



VISHAY TRANSDUCERS (VT) SALES OFFICES

VT Americas
City of Industry, CA
PH: +1-626-858-8899
FAX: +1-626-332-3418
vt.us@vishaymg.com

VT Netherlands
Breda
PH: +31-76-548-0700
FAX: +31-76-541-2854
vt.nl@vishaymg.com

VMG UK
Basingstoke
PH: +44-125-646-2131
FAX: +44-125-647-1441
vt.uk@vishaymg.com

VMG Israel
Netanya
PH: +972-9-863-8888
FAX: +972-9-863-8800
vt.il@vishaymg.com

VMG Germany
Heilbronn
PH: +49-7131-3901-260
FAX: +49-7131-3901-2666
vt.de@vishaymg.com

VT China
Tianjin
PH: +86-22-2835-3503
FAX: +86-22-2835-7261
vt.prc@vishaymg.com

VMG France
Chartres
PH: +33-2-37-33-31-20
FAX: +33-2-37-33-31-29
vt.fr@vishaymg.com

VT Taiwan*
Taipei
PH: +886-2-2696-0168
FAX: +886-2-2696-4965
vt.roc@vishaymg.com
*Asia except China



Disclaimer

All product specifications and data are subject to change without notice.

Vishay Intertechnology, Inc., its affiliates, agents, and employees, and all persons acting on its or their behalf (collectively, "Vishay"), disclaim any and all liability for any errors, inaccuracies or incompleteness contained herein or in any other disclosure relating to any product.

Vishay disclaims any and all liability arising out of the use or application of any product described herein or of any information provided herein to the maximum extent permitted by law. The product specifications do not expand or otherwise modify Vishay's terms and conditions of purchase, including but not limited to the warranty expressed therein, which apply to these products.

No license, express or implied, by estoppel or otherwise, to any intellectual property rights is granted by this document or by any conduct of Vishay.

The products shown herein are not designed for use in medical, life-saving, or life-sustaining applications unless otherwise expressly indicated. Customers using or selling Vishay products not expressly indicated for use in such applications do so entirely at their own risk and agree to fully indemnify Vishay for any damages arising or resulting from such use or sale. Please contact authorized Vishay personnel to obtain written terms and conditions regarding products designed for such applications.

Product names and markings noted herein may be trademarks of their respective owners.