



# Valor™ 5000

Compact Industrial Portion Scales



## **SUPPORTS HACCP COMPLIANCE**

### ***Speed, Durability and Cleanliness Designed for All-Purpose and Food Service Use***

The OHAUS Valor™ 5000 is a rugged, multi-use scale designed for a wide variety of preparation and service applications. Ideally suited for food portioning and check weighing, the Valor 5000 Scale combines lightning fast display updates, a smooth easy to clean shape, and high precision load cells. The Valor 5000 is right at home in restaurants, bakeries, food manufacturing and all other areas requiring fast operation, spill resistant design, and flexible cordless battery operation.

#### **Standard Features Include:**

- Easy to clean smooth ABS plastic housing with included in-use cover and stainless steel pan construction
- NSF listed/certified, USDA-AMS accepted and supports HACCP compliance
- Easy to see bright backlit 5 digit LCD
- Multiple weighing units including: kg, g, lb, oz (fractional and decimal), lb:oz
- Multiple weighing modes: percent weighing, static weighing, positive/zero/negative static checkweighing
- Three bright LEDs (yellow, green, red) and beeper for indication in checkweigh operation
- Fast stabilization with Auto-Tare
- Remote tare foot switch connection
- Integrated level bubble and adjustable feet
- Standard AC power adapter and internal lead acid rechargeable battery pack with low battery warning

# Valor 5000 Compact Industrial Portioning

## Easy to Set-Up for Your Operation:

### The OHAUS Valor 5000 Has All The Features You Need:

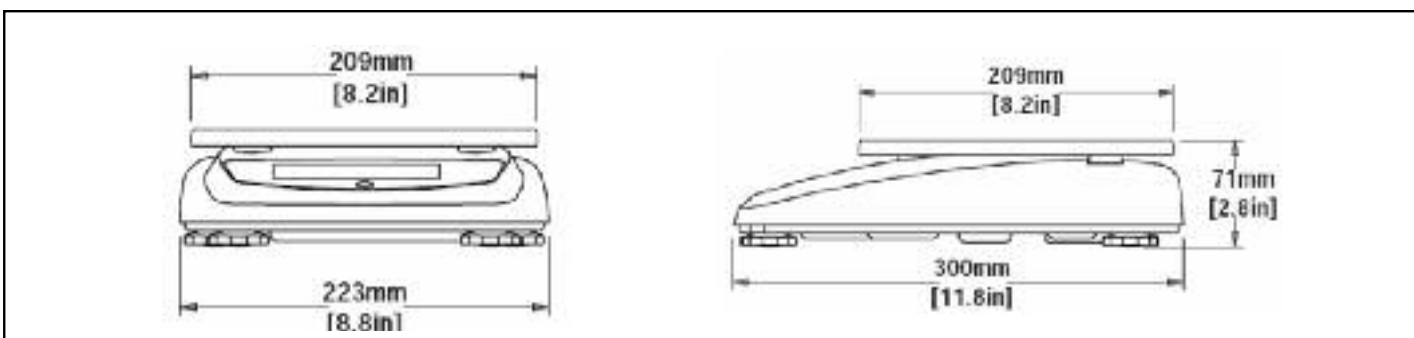
- **Selectable Weighing Units** – The Valor 5000 can be set up to display all, some, or only one weighing unit to match the requirements of your operation.
- **Lb & Oz Display** – The Valor 5000 can display a decimal pound to 3 decimal places, as well as fractional or decimal ounces, and can even display results in a combined lb:oz display.
- **Metric Display** – For metric use, the Valor 5000 can display results in kilograms or grams with a readability ranging from 0.5g to 2 g, depending on model.
- **Percent Weight** – Allows users to compare the weight of a sample as a percentage of a reference weight, useful for Baker's Percentages.
- **Change Units Quickly** – The unit displayed can be changed with a single key press.
- **Set It Up and Lock It In** – The Valor 5000 can be set to the mode and weighing units required, and then locked-in using either software or hardware locks. The OHAUS Valor 5000 can be locked to ensure the configuration you choose is the configuration you use!
- **Easy to Calibrate** – The Valor 5000's software menu allows the Valor 5000 to be calibrated to ensure accurate results. To prevent accidental recalibration, the Valor 5000 also can be configured using software and hardware calibration lock-outs.

## For Checkweighing Applications, The Valor 5000 Can Be Quickly Configured:

The Valor 5000 can be set to either simply display a weight, or can be set to act as a dedicated, low-profile checkweigher for portioning and grading:

- **Portioning and Prepackaging** – With the positive checkweighing mode for packaging, add to the portion on the pan until you reach the weight you need.
- **Portioning Out of the Box** – Use the negative checkweighing mode for portioning and pizza making, portioning out of a container on the pan until the required weight is reached.
- **Sorting & Grading** – The “zero” checkweighing method is designed for sorting and grading operations, so you can check portions against preset limits.
- **Quickly Set Targets** – Target weights can be entered quickly using the dedicated Setpoint key.
- **Bright LED's and Buzzer Speed Use** – Progress against weight targets can be indicated with the three LED's, with indications for Over, Accept and Under with selectable audible buzzer.

### Outline Dimensions



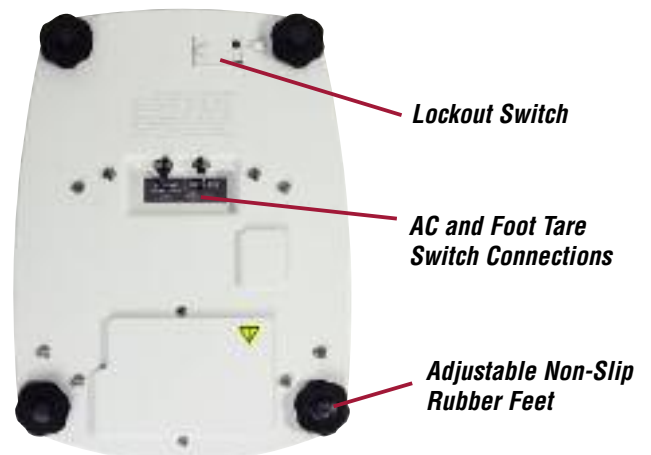
## Designed for Food Service Use:

**Fast, Easy-To-Read Display** – The Valor 5000 is designed to clearly and quickly display weighing results:

- Large, backlit LCD display
- Fast display updates – within 2 seconds
- Bright LED indicators for Checkweighing mode
- Text display of weight units – no cryptic unit designations or hard-to-read annunciators
- Audible buzzer alerts user when limits are reached
- Battery power level indicator
- Bright annunciators for scale stability, center of zero, net and tare weights, checkweighing mode indication

**Manual or Auto Tare** – The Valor 5000 can be configured to tare three ways:

- Manual taring using the large, dedicated Tare key
- Taring via the optional foot switch for hands-free operation



# Valor™ 5000 Compact Portion Scales

## Specifications

Model	V51PH3	V51PH6	V51PH15	V51PH30
Capacity x Readability (Max x d non-approved)	3kg x 0.1g	6kg x 0.2g	15kg x 1g	30kg x 2g

Model	V51P3	V51P6	V51P15	V51P30
Capacity x Readability (Max x d non-approved)	3kg x 0.5g	6kg x 1g	15kg x 2g	30kg x 5g

Weighing Units	Pound, decimal ounce, 3/4, 1/2, and 1/4 fractional ounce, gram, kilogram, combined lb:oz display (either decimal or fractional ounces)
Application Modes	Weighing, Checkweighing, Percent Weighing
Display	0.75-in (19mm) high 5-digit, 7-segment backlit blue LCD display
Display Indicators	Stability, center of zero, tare or net weight, battery status, checkweigh mode
Checkweighing Indicators	3 LED (yellow, green, red) with configurable operation and alert beeper
Keyboard	4 – button membrane switch
Environmental Protection	IP 43
Tare Range	Full capacity by subtraction
Stabilization Time	< 2 seconds
Auto-Zero Tracking	Off, 0.5, 1 or 3 divisions
Overload Capacity	150% of capacity
AC Power	9 VDC 0.5A AC wall adapter 100-120 V AC, 50/60 Hz
Battery	Internal rechargeable sealed lead-acid battery with 120 hours continuous use
Calibration	User-selectable external span or linearity calibration
Operating Temperature and Humidity Range	-10° to 40°C, 10 to 85% relative humidity, non-condensing
Pan Size	209 x 209 mm
Scale Dimensions WxHxD	300 x 223 x 71 mm
Shipping Dimensions WxHxD	400 x 320 x 185 mm
Net Weight	2.5 kg
Shipping Weight	4 kg

## Physical Features

ABS top and bottom housings, dishwasher safe stainless steel pan, clear in-use cover, backlit LCD display, rubber user-adjustable leveling feet, front panel leveling bubble, internal rechargeable lead-acid battery, external AC wall adapter, weight/mode stability/center of zero/net weight/tare weight/text unit indication, 4-bar battery status indicator with low-battery warning, 3 LED's and buzzer for use in checkweighing mode, dedicated tare key, audible buzzer with user-selectable volume control, selectable scale auto-off, sealable scale configuration and calibration lockout switch.

## Operational Features

Selectable environmental averaging settings, backlight control with auto-off option, selectable weighing units, configurable checkweighing mode, configurable software lockout menu, span or linearity calibration in kg or lb unit with optional external masses, semi-automatic or automatic tare, selectable auto-zero tracking.

## Accessories

Foot switch (p/n 71169633); hard shell carry case (p/n 80251394); flat pan (p/n 80251141); in-use cover (p/n 80251140)

## Compliance

- **Food Service:** NSF Listed/Certified to NSF/ANSI 169-2005 *Special Purpose Food Equipment and Devices* (formerly NSF C-2); USDA/AMS Accepted to NSF/3-A 14159-1 *Hygiene Requirements for the Design of Meat and Poultry Processing Equipment*; meets requirements for HACCP conformity.
- **Electrical/Emissions:** UL C US listed, meets AS/NZS4251.1 Emission/AS/NZS4252.1 Immunity, FCC Class B Part 15 operation, Industry Canada Class B.
- **Quality:** OHAUS quality management system registered to ISO 9001:2000

[www.ohaus.com](http://www.ohaus.com)

\* ISO 9001:2000  
Registered Quality Management System

80774357 © Copyright Ohaus Corporation

